

62-10 Compression Latch

Large · Lift & turn series · Flush style · Adjustable grip

Features

- Low profile when latched
- Easy grip adjustment
- Intuitive operation

Material

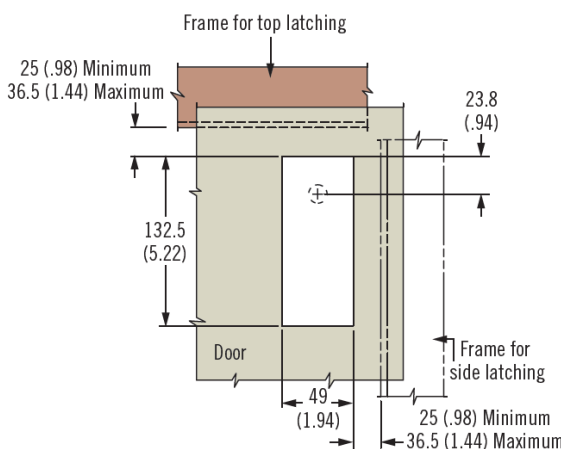
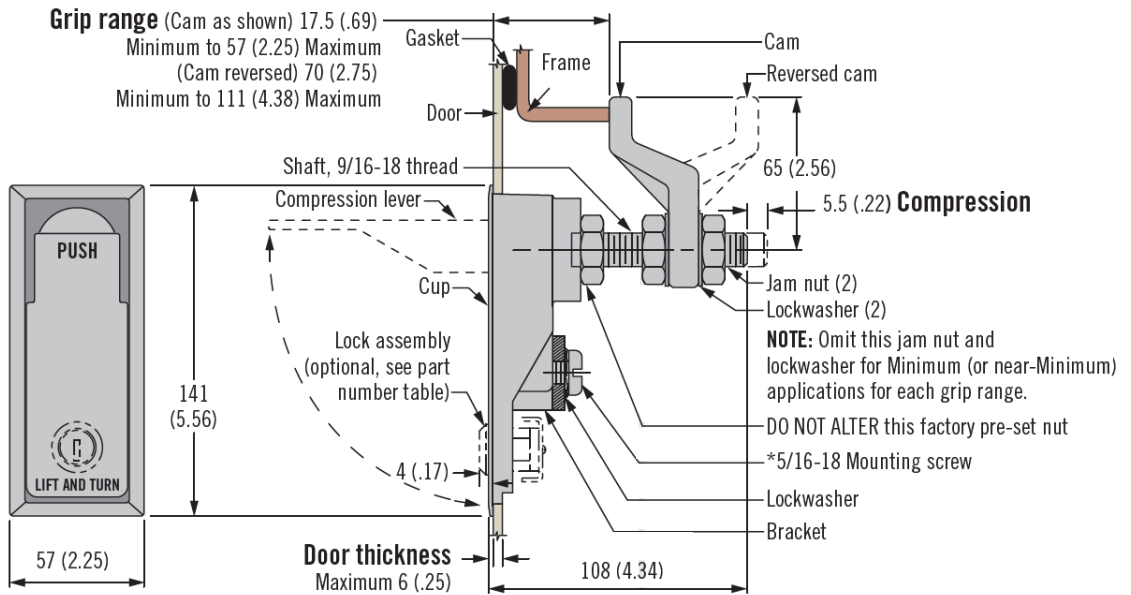
- Zinc alloy, chrome brushed and steel, zinc plated

Product Performance

- Maximum static load: 1,250 N

Accessories

- Actuator for three point locking assembly (order separately), part no: 62-19-501-15



Installation Notes

Screw and lockwasher assembly 5/16-18UNC x 3/4. For door thickness greater than 6 calculate screw length using the following formula: Door thickness +7

- H** Head style
- 0 Non-locking
 - 1 Key-locking keyed alike CH751 (two flat keys supplied)

62 - 10 - 8 **H** 1 - 20